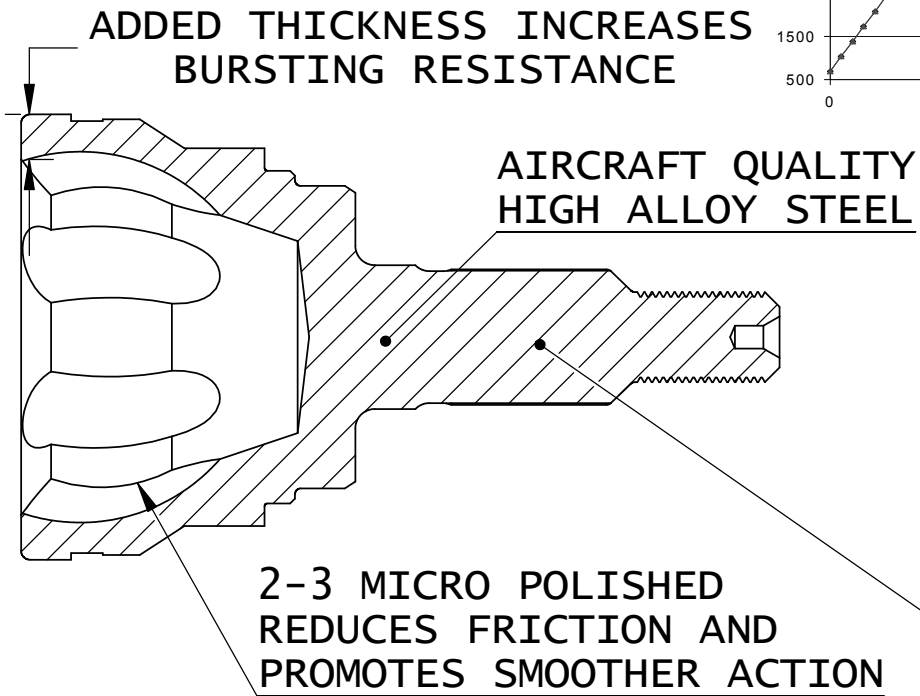
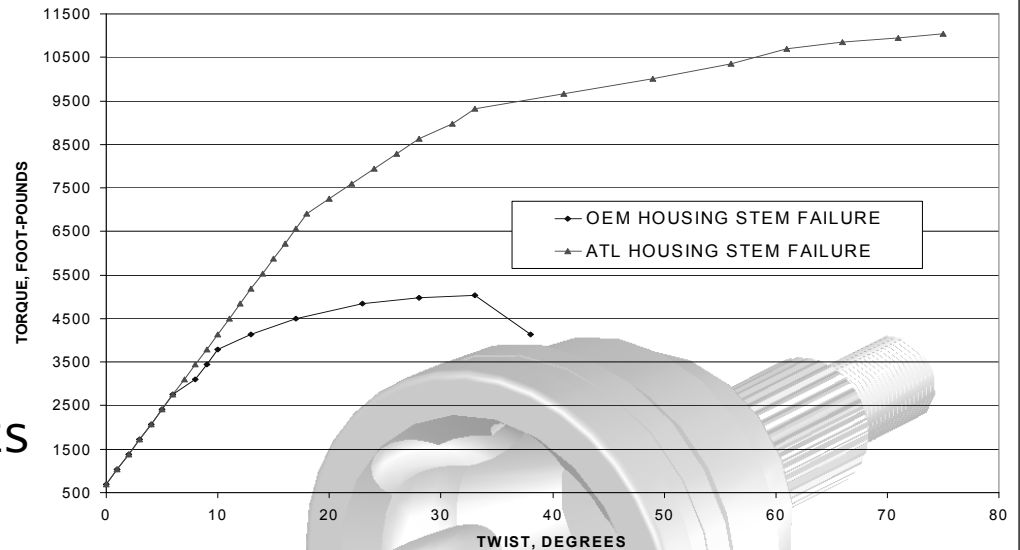




INTRODUCES THE ULTIMATE CV HOUSING 2-3 TIMES OEM STRENGTH LAB TESTED

RACE PROVEN TO 1000HP
APPLICATIONS INCLUDE:
OFF ROAD RACING AND ROCK CRAWLING
DRAG RACING
MODIFIED AND LIFTED ATVS
ANYTHING YOU CAN IMAGINE

GM 2500/3500 HOUSING TEST



PROPRIETARY HEAT TREAT
DOUBLE TEMPERED &
CRYOGENICALLY TREATED
-300 F YIELDS STRENGTH
AND TOUGHNESS

ASHCROFT TRANSMISSIONS LIMITED